

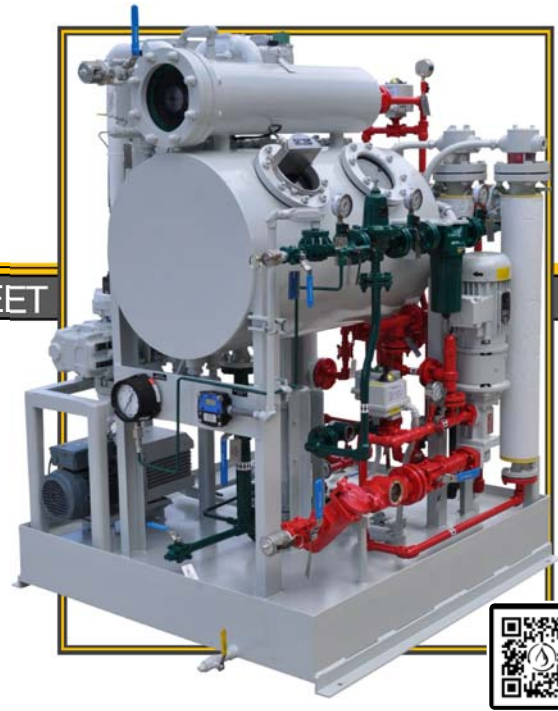


# SES323 CABLE OIL PURIFIER

## SES323 DATASHEET

The SES323 is a dielectric oil conditioning and regeneration system specifically designed for filling and maintaining high power cable insulating/cooling fluids. The SES323 conditions dielectric fluid for use by removing dissolved water, gas and particulate. An optional adsorbent treatment phase is also provided to correct the total acid number and color if necessary.

The standard configuration provides both straight through single pass processing and multi-pass processing using the integrated 55 gallon stainless steel reservoir.



## TREATMENT STAGES

01	<p><b>Oil Heating</b> The fluid is gently heated to reduce the viscosity in preparation for the vacuum dehydration and option adsorbent</p>
02	<p><b>Polar Contaminant Adsorption</b> (optional) The heated fluid then passes through an optional (bypass included) adsorbent media process that removes acids, color</p>
03	<p><b>Filtration</b> (3<math>\mu</math> <math>\beta</math>200) The next treatment phase uses long life, low pressure drop, pleated synthetic filter media to remove 99.9% of all particulate</p>
04	<p><b>Vacuum Dehydration &amp; Degasification</b> Vacuum and high efficiency thin film low temperature evaporation is used to remove dissolved water and dissolved</p>
05	<p><b>Filtration</b> (0.5<math>\mu</math> <math>\beta</math>75) A polishing filter completes the process. Pleated synthetic filter media is used to remove 98.7% of all particulate &gt; than</p>
06	<p><b>Results</b> The conditioned oil is now ready for use. Discharge flow rate and pressure are adjustable to accommodate cable</p>

## FEATURES

- Conditions Both Mineral & Synthetic Dielectric Cable Fluids
- Viscosities up to 2000 SSU
- Straight Through Single Pass Processing
- Multi-Pass Batch Processing
- Built-in 100% Safety Spill Retention
- 130 CFM Vacuum Capacity

## PURIFICATION PROCESS

	F°	C°
Temperature Range (Adjustable)	120-190	49-88
Watt Density	11.5 W/in <sup>2</sup>	
Vacuum Limits	0.1 Torr	
Vacuum Capacity	130 ft <sup>3</sup> /min @ 0.5 Torr	
Suction Lift	12 ft	
Discharge Pressure	Adjustable 40-175 lbf/in <sup>2</sup>	

## PROCESSED OIL QUALITY

Dielectric Strength (ASTM-D1816-84A 2mm gap)	> 60 kV - (Dielectric Fluids)
Moisture Content	Typically 1-10 ppm
Total Gas Content	< 0.25%
Particulate Content	0.5 $\mu$ @ $\beta$ 75
Polar Contamination (Optional treatment stage)	Effect on oil properties will vary with the application

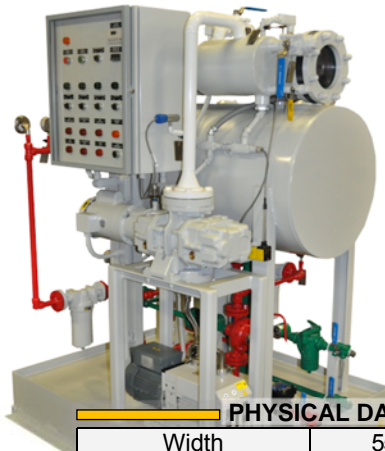
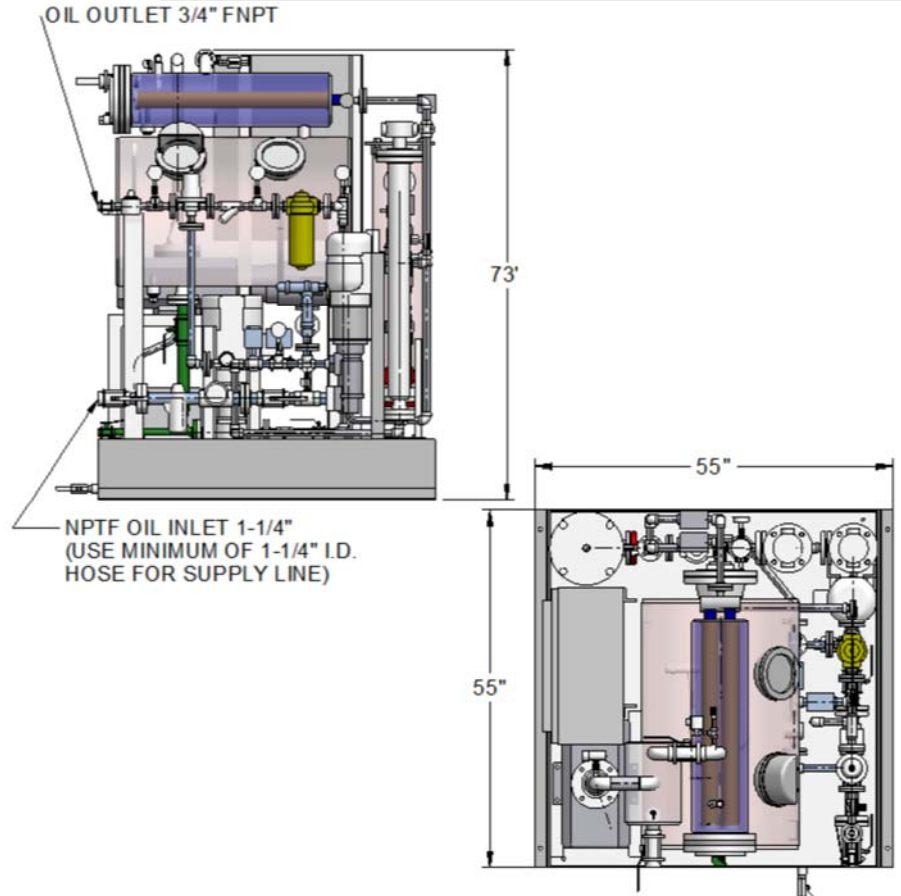
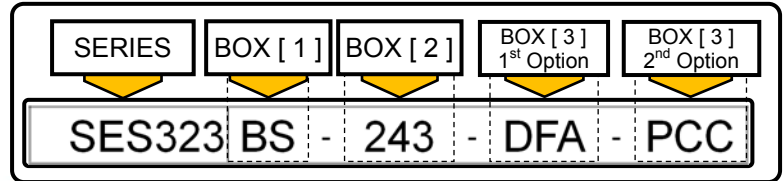
## PROCESSING RATE

Batch Mode	180 GPH (680 LPH) 65 Gallon Capacity
Single Pass Mode	60 GPH (226 LPH)

# HOW TO ORDER SES323 SERIES

Construct a custom model number by placing desired options into the corresponding fields as shown in the example below.

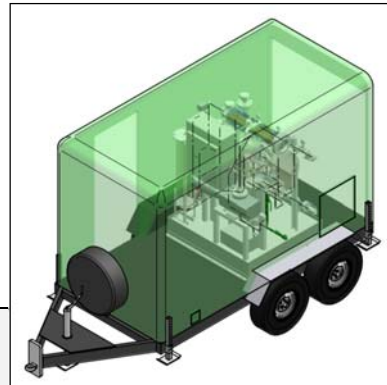
[ 1 ] PROCESSING MODE	
B	Batch Mode Only
BS	Single Pass & Batch Mode
[ 2 ] SUPPLY VOLTAGE	
241	240 V / Single Phase / 60 Hz
243	240 V / Three Phase / 60 Hz
480	480 V / Three Phase / 60 Hz
[ 3 ] ADDITIONAL OPTIONS	
DFA	Dirty Filter Alarms
SPC	Switch & Pilot Light Control Interface w/ Relay Logic
MTM	Outlet Moisture & Temperature Monitor
CTM	Contamination Monitor
PCC	50' Power Cable
SLL	Skid Lifting Lugs
STP	Skid Tow Motor Pockets
OSH	Oil Suction Hose (25 ft / 7.62 m)
ODH	Oil Discharge Hose (25 ft / 7.62 m)
VCH	Vacuum Hose (25 ft / 7.62 m)



PHYSICAL DATA	
Width	55 in   140 cm
Depth	55 in   140 cm
Height	73 in   185 cm
Weight	
Dry	Full Batch
2850 lbs   1293 kg	3294 lbs   1494 kg
Connections	
Inlet	1.25 FNPT
Discharge	0.75 FNPT
Vacuum	2" MCAM
Power Requirements	
480V/3PH/60Hz	25 A
240V/2PH/60Hz	50 A
230V/1PH/60Hz	80 A (60 A @ 6 kW)

## (Optional) Enclosed Cargo Trailer Installation

TRAILER DIMENSIONS	
Overall Length	17'
Body Length	12'
Overall Width	7'-10"
Body Width	6'
Overall Height	7' - 8"
Deck Height	≈ 18"



- 8000 GVWR
- 5500 lbs Payload Capacity
- Electric Brakes
- Ball Hitch or Pintle Hitch, 60" Tongue
- Tandem 4000# TORFEX Suspension Axles, Radial Tires
- Welded Aluminum Frame Construction
- Aluminum Sheet & Post Sidewall Construction
- White Interior Plywood Lining
- Single Piece Aluminum Roof, 1-1/2" Deck Trailer Floor
- DOT Approved LED Road Lighting & Reflector Packages
- Aluminum Nose Stone Guard

